

# XIOS

(EXPRESS)  
SYSTEM

XIOSK  
TECHNICAL DATA  
1.6m by 2.3m

# K

(X)

SUNVISOR

PRODUCT DISPLAY

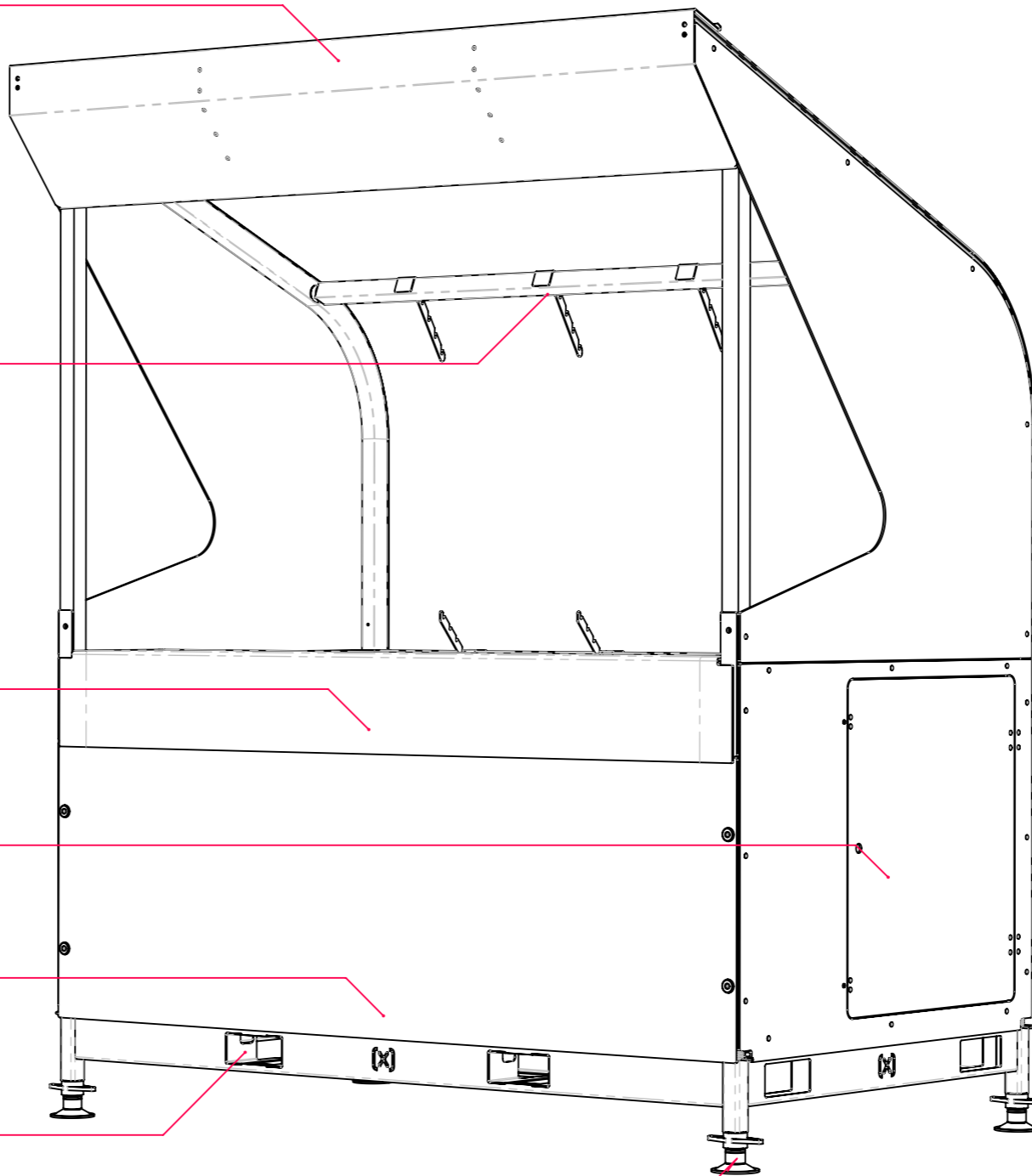
PRODUCT DISPLAY  
COUNTER

ACCESS HATCH - LH/RH

FRONT FASCIA PANEL

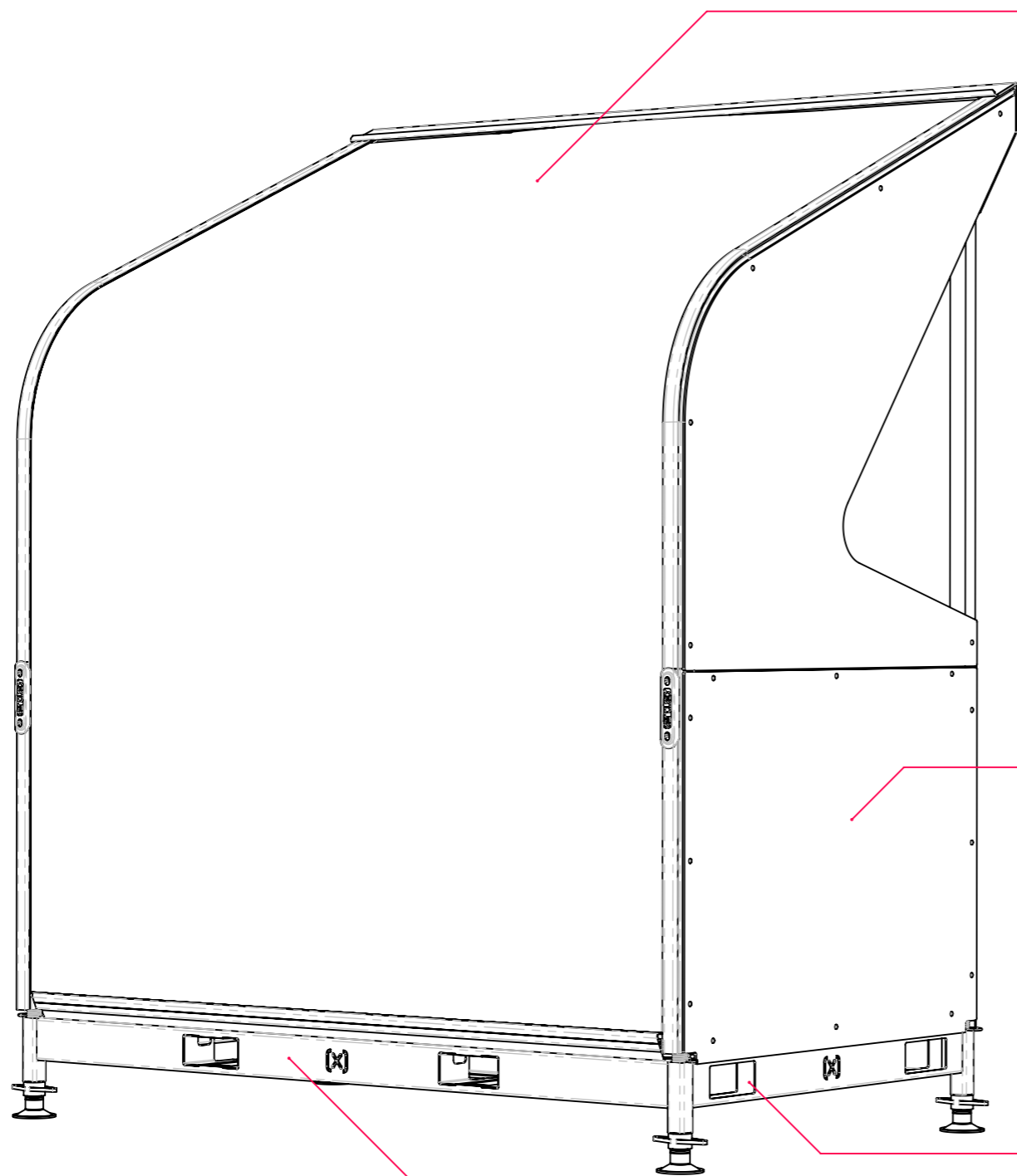
FORKLIFT PICK UP POINTS

ADJUSTABLE/LEVELING FEET



KIOSK	ISSUE <span style="float: right;">02</span>
OVERVIEW	AirClad X Component Parts Document All dimensions in mm Detailed part drawings available at request Scale: <span style="float: right;">NTS</span>

AIRCELL



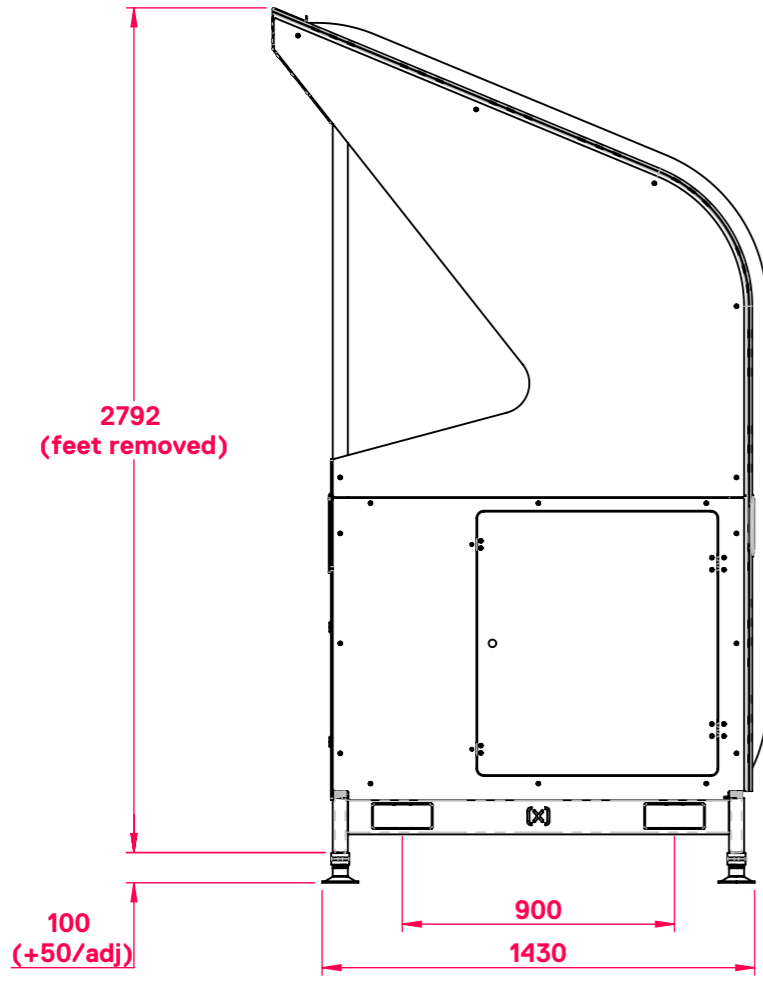
FIXED LWR PANEL - LH/RH

FORKLIFT PICK UP POINTS

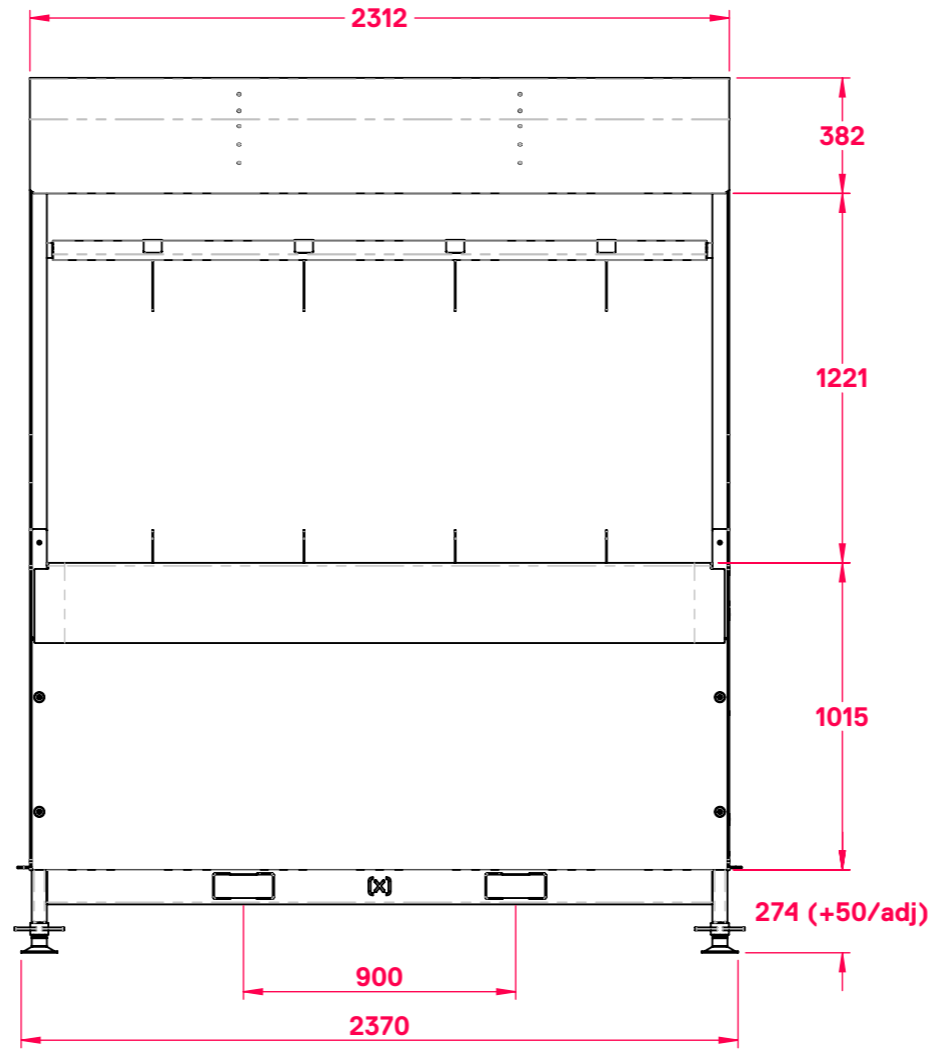
GLAVANIZED STEEL BASE



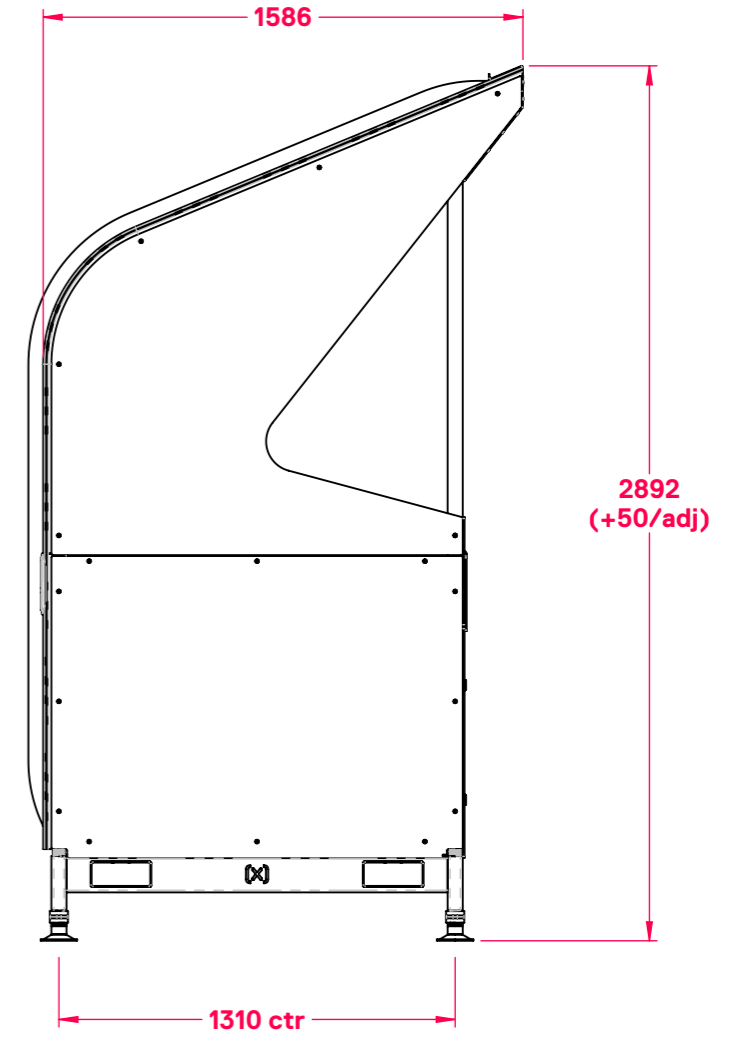
KIOSK	ISSUE	02
OVERVIEW	AirClad X Component Parts Document All dimensions in mm Detailed part drawings available at request	Scale: NTS



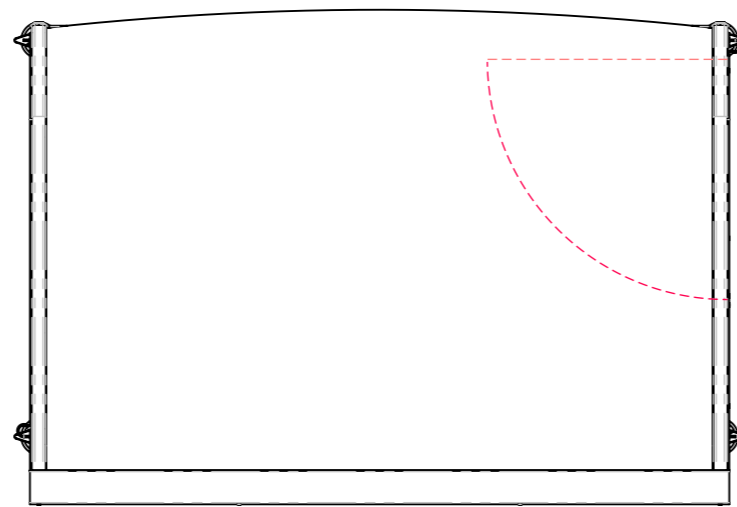
RIGHT ELEVATION



FRONT ELEVATION



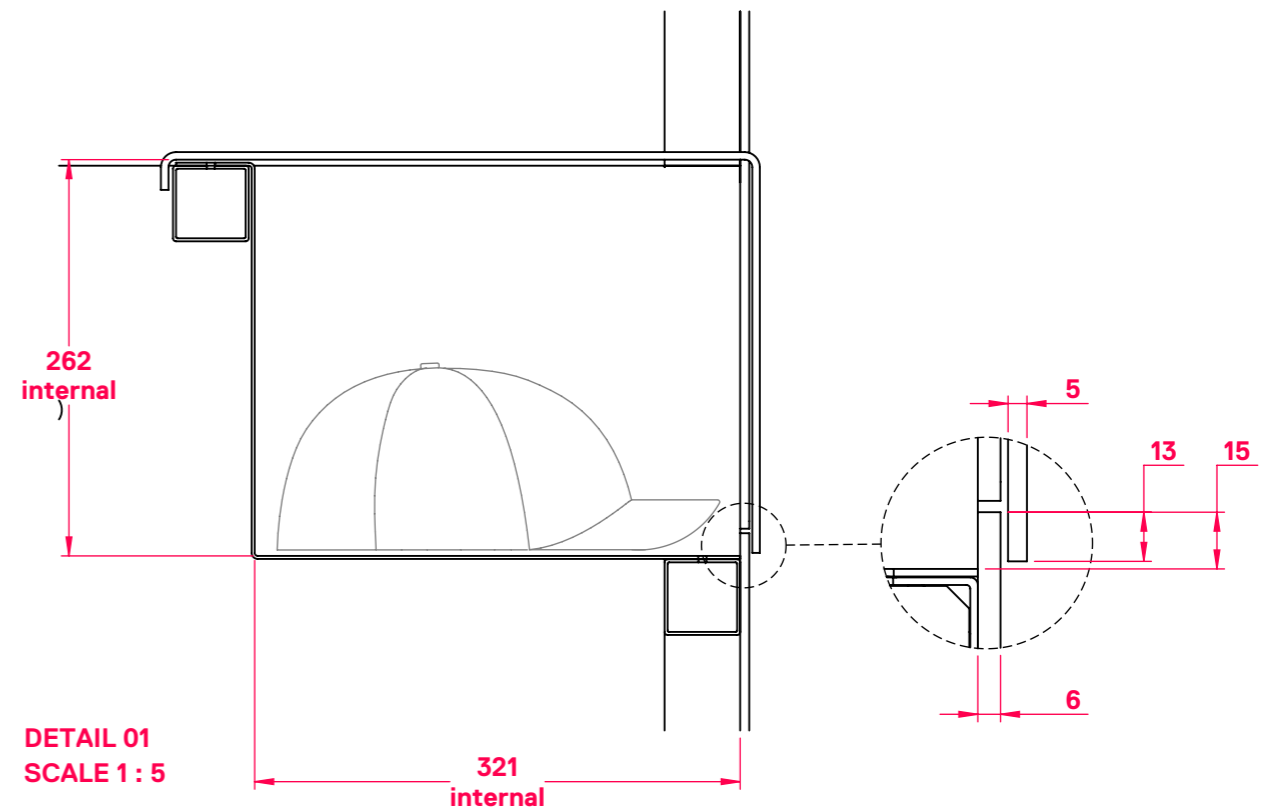
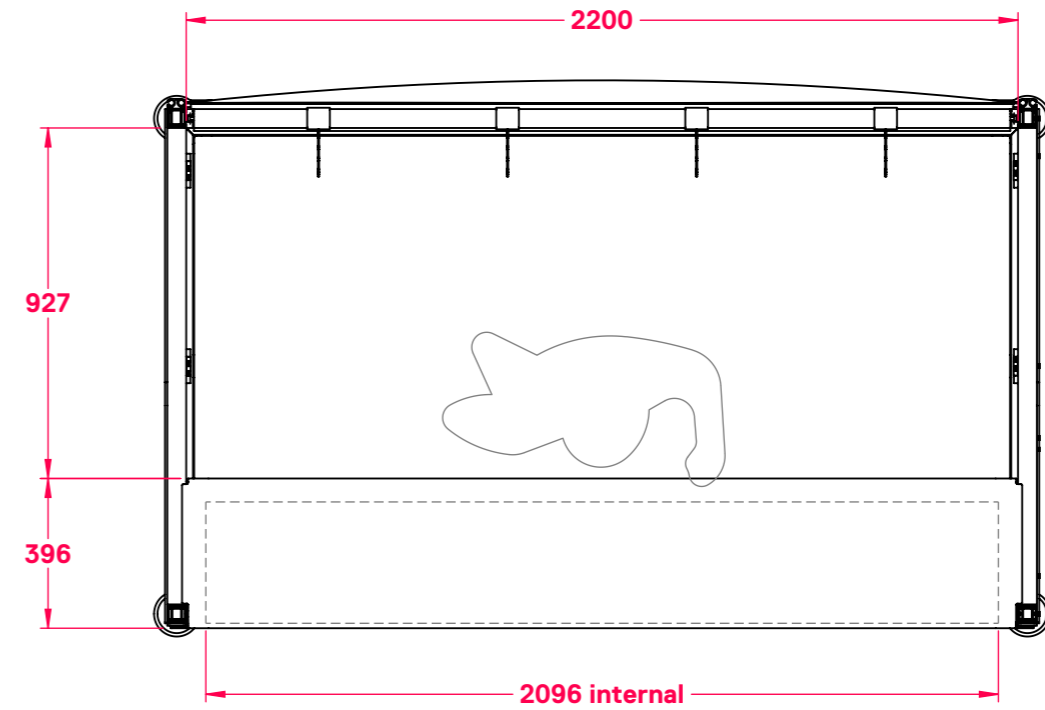
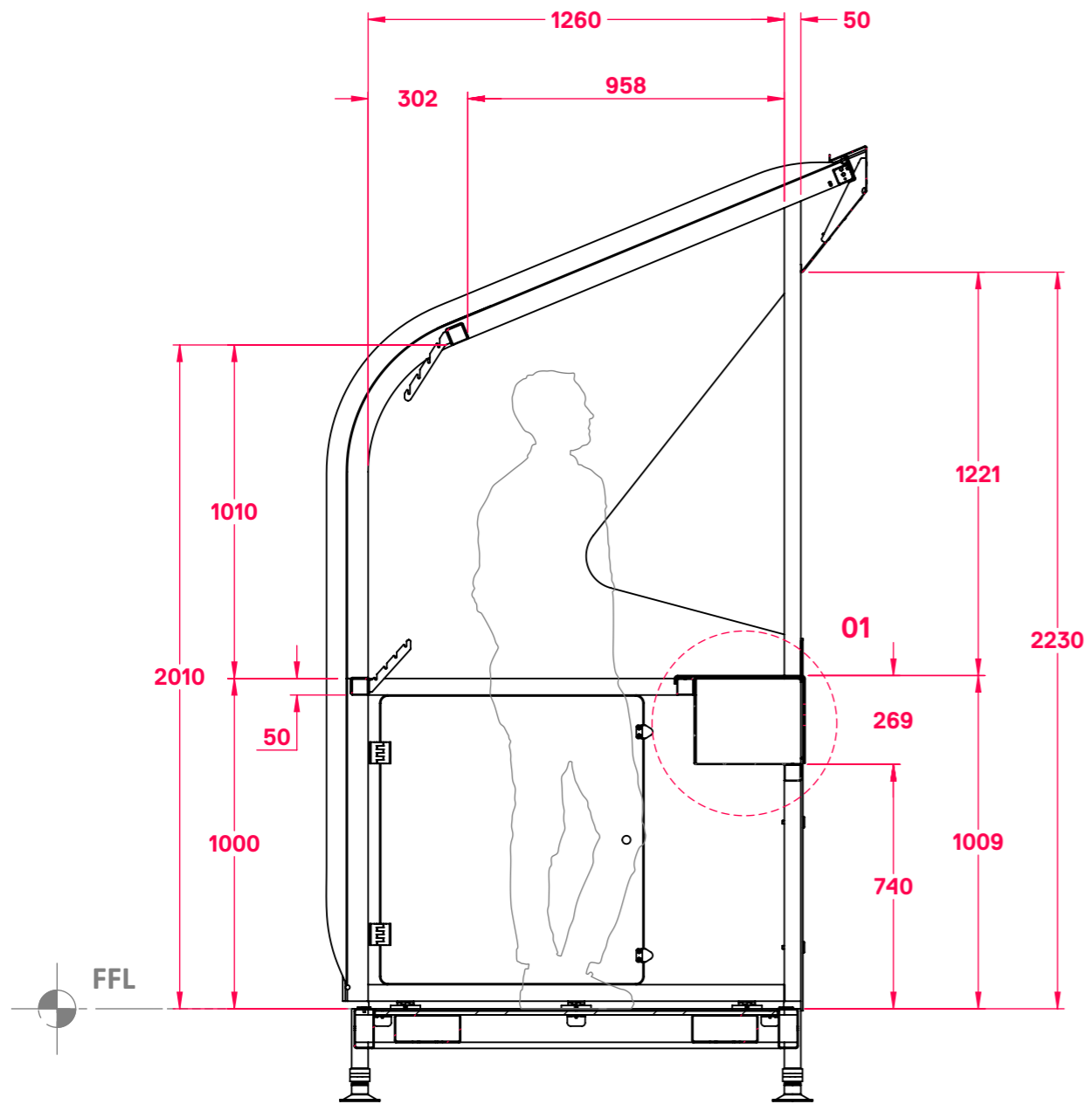
LEFT ELEVATION



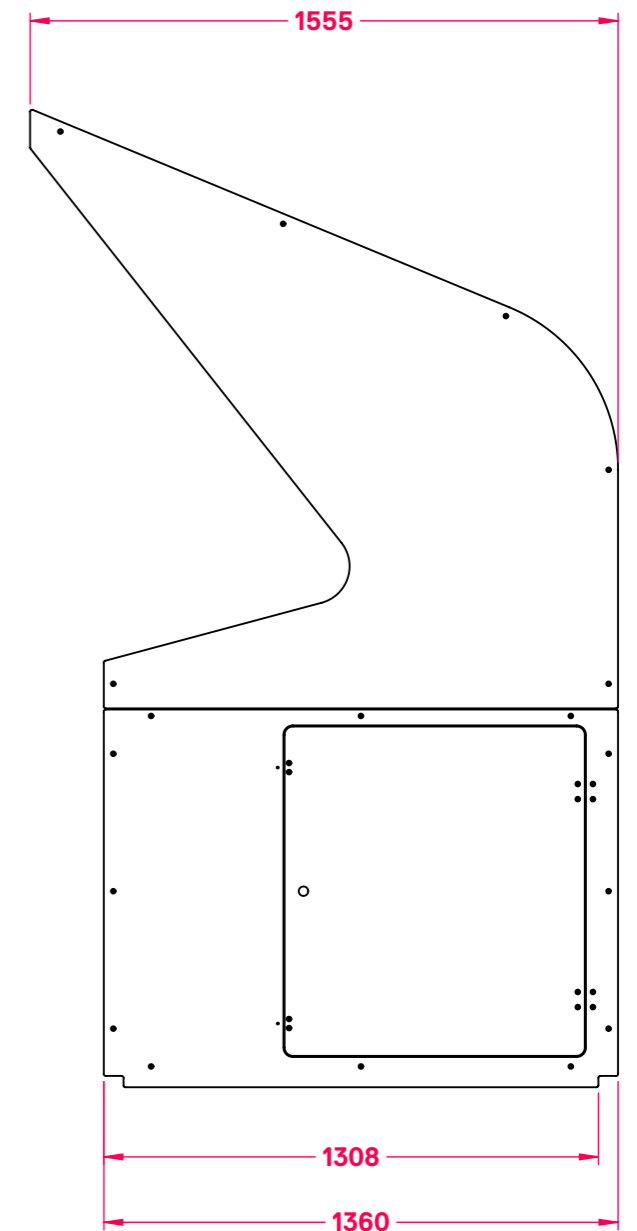
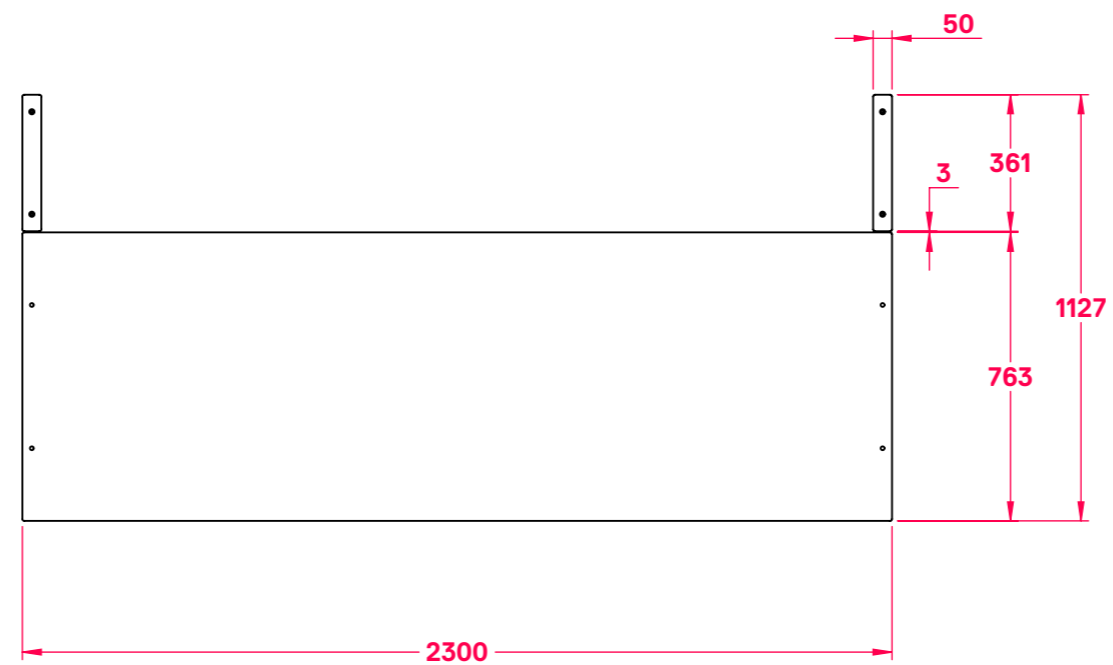
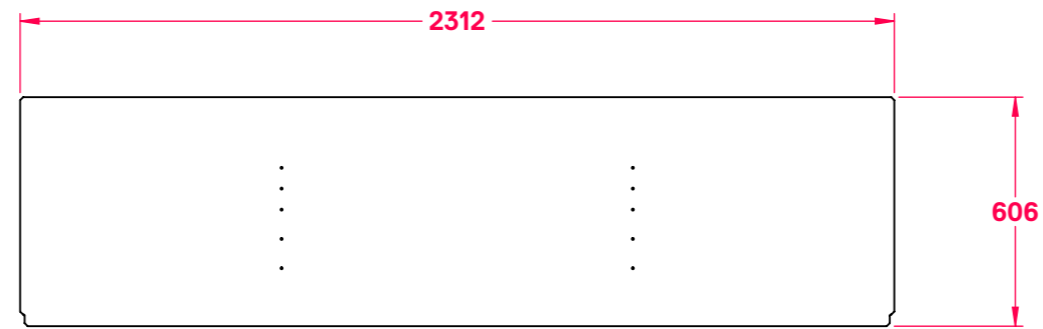
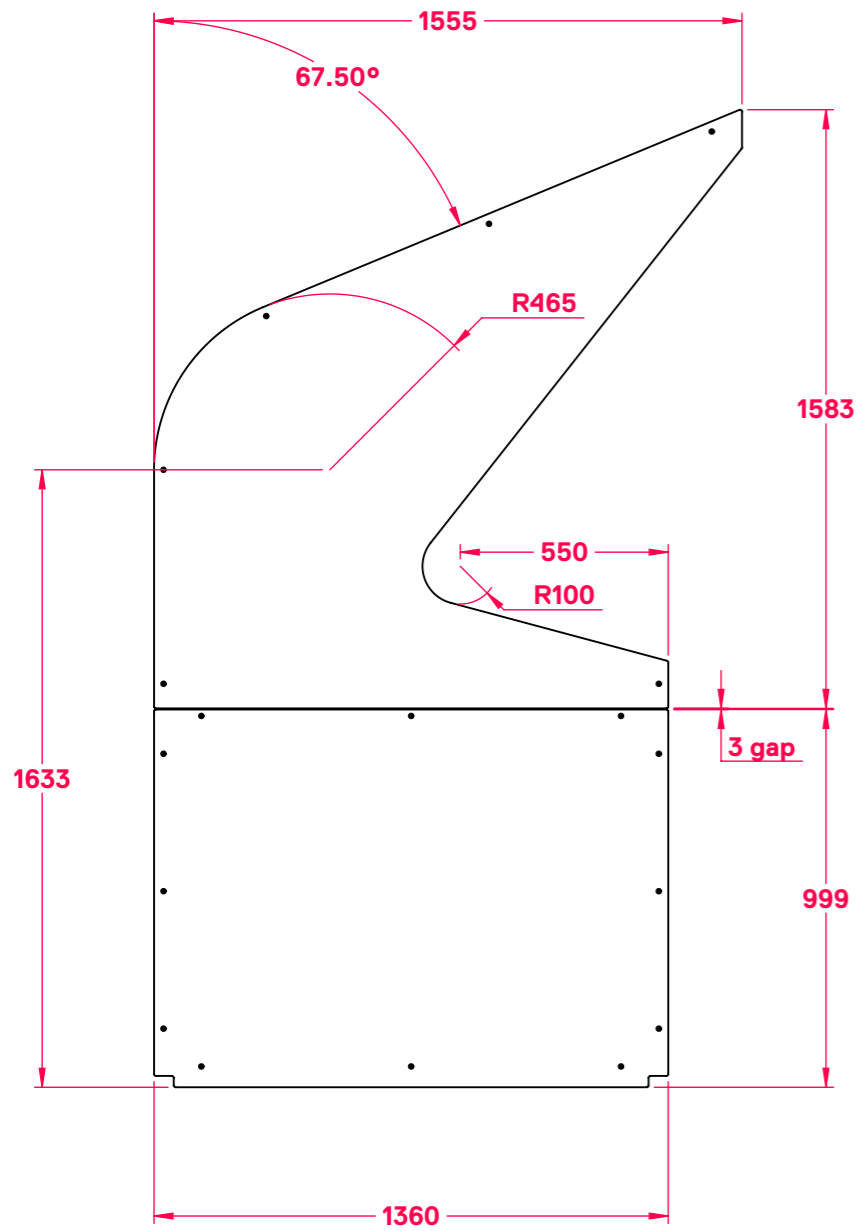
PLAN VIEW



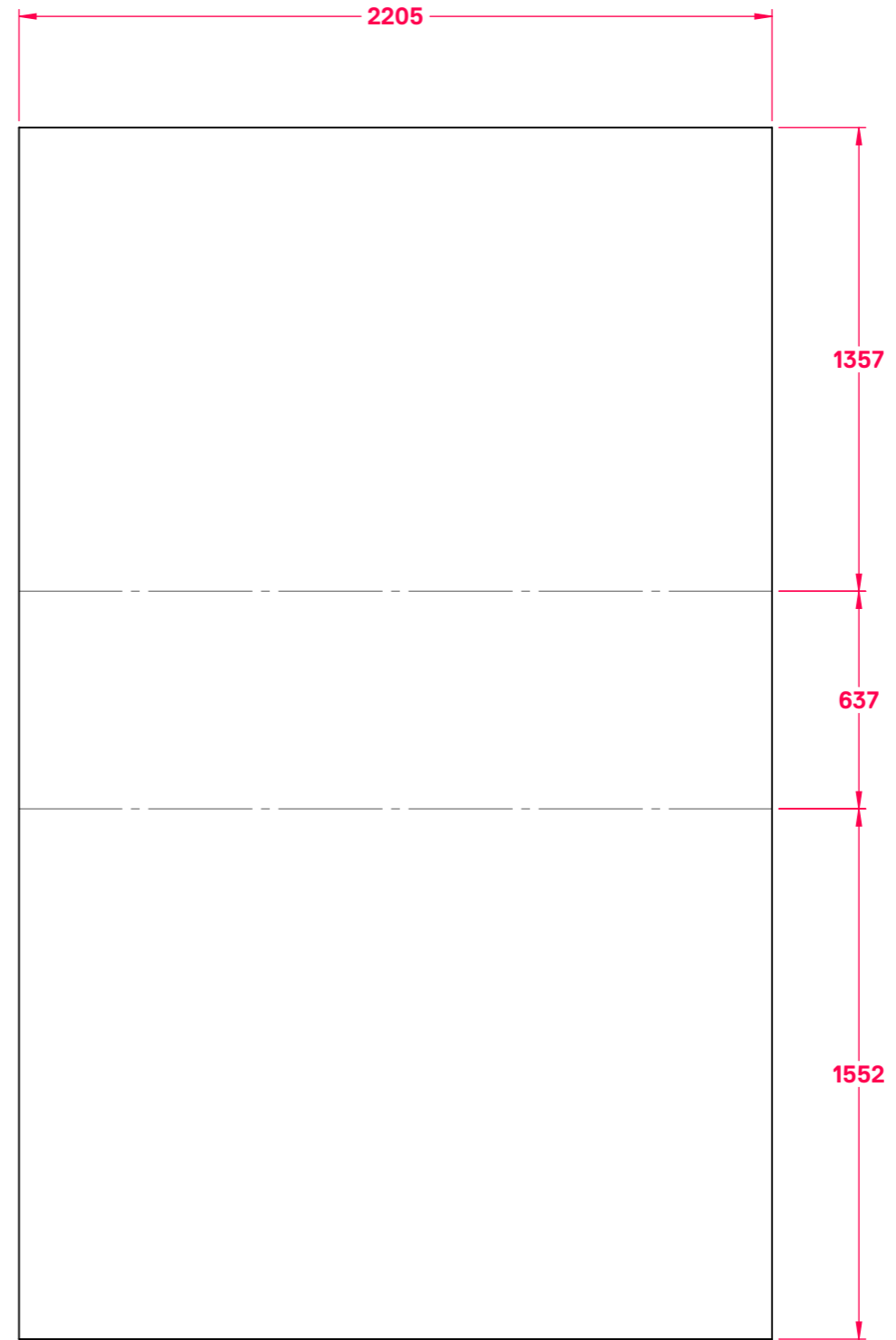
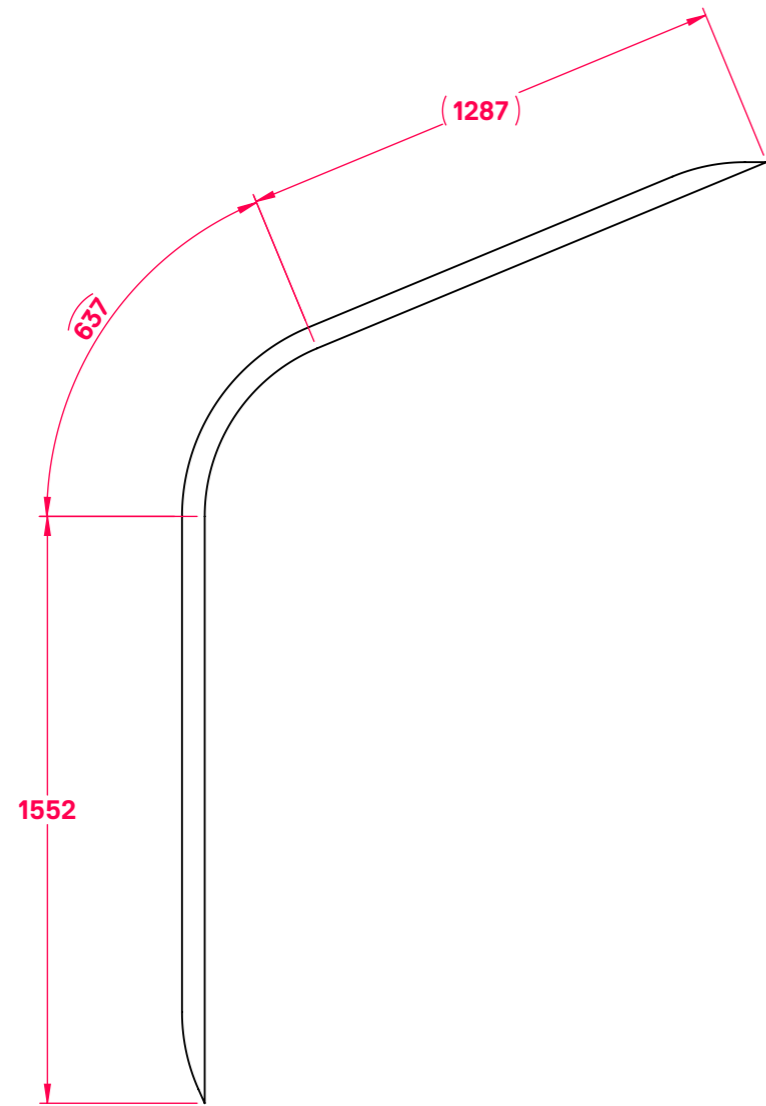
KIOSK	ISSUE	02
ELEVATIONS	AirClad X Component Parts Document All dimensions in mm Detailed part drawings available at request	Scale: 1:25



KIOSK	ISSUE	02
<b>INTERNAL SPACE</b>	AirClad X Component Parts Document All dimensions in mm Detailed part drawings available at request	Scale: <b>1:20</b>



KIOSK	ISSUE	02
<b>BRAND ASSET PLACEMENT</b>	AirClad X Component Parts Document All dimensions in mm Detailed part drawings available at request	Scale: <b>1:20</b>



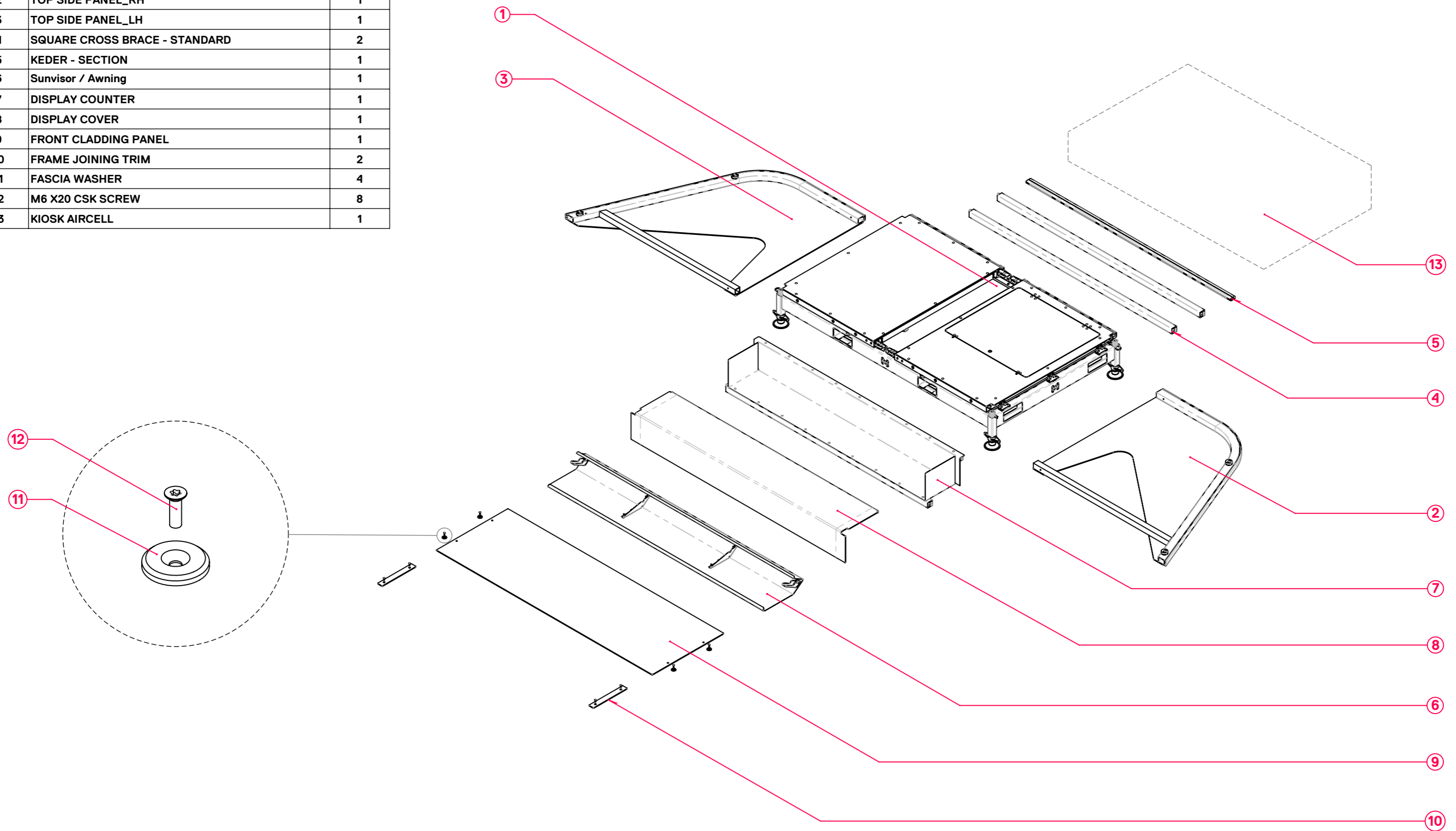
**NOTE:**

- EXTERNAL SURFACE DIMENSIONS SHOWN

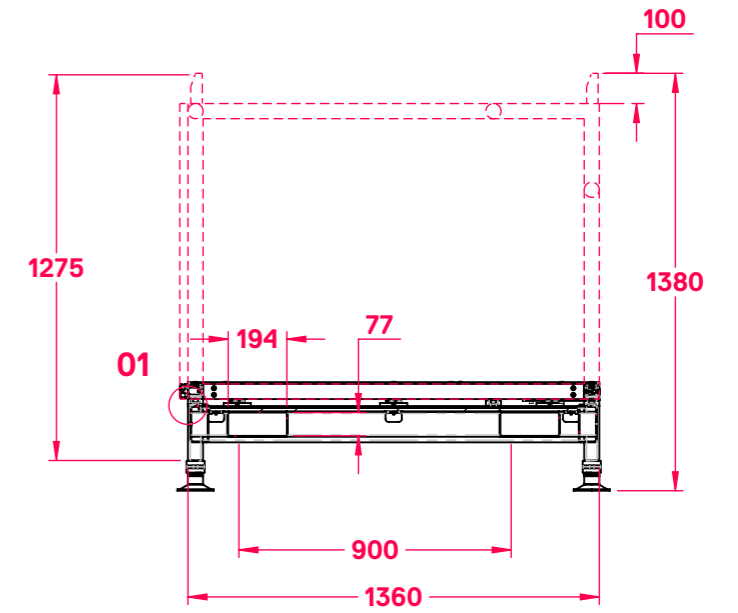
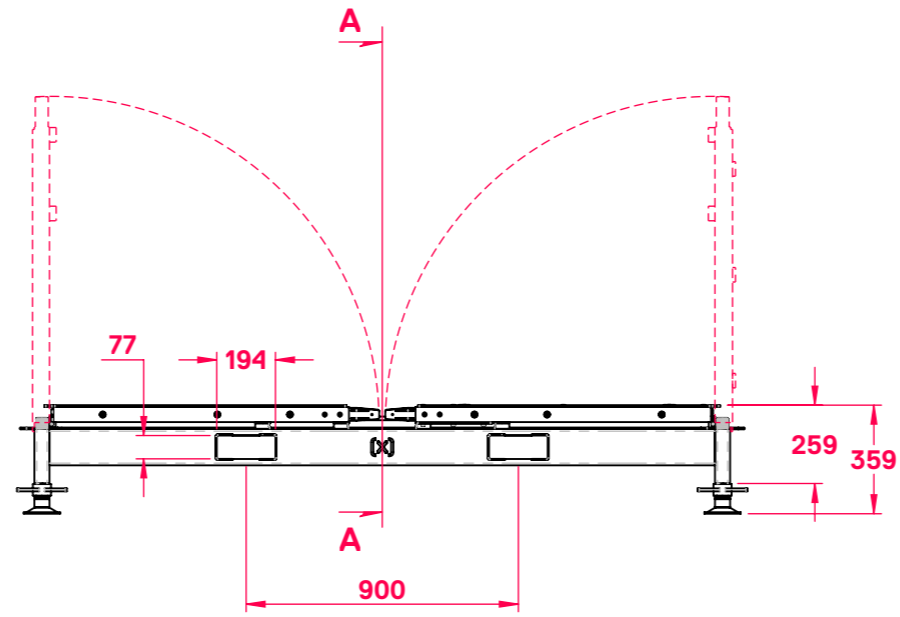
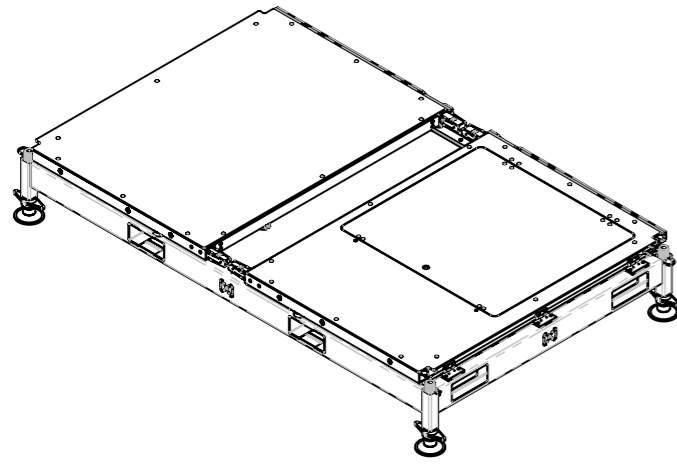


KIOSK	ISSUE		02
<b>BRAND ASSET PLACEMENT</b>	AirClad X Component Parts Document All dimensions in mm Detailed part drawings available at request	Scale:	<b>1:20</b>

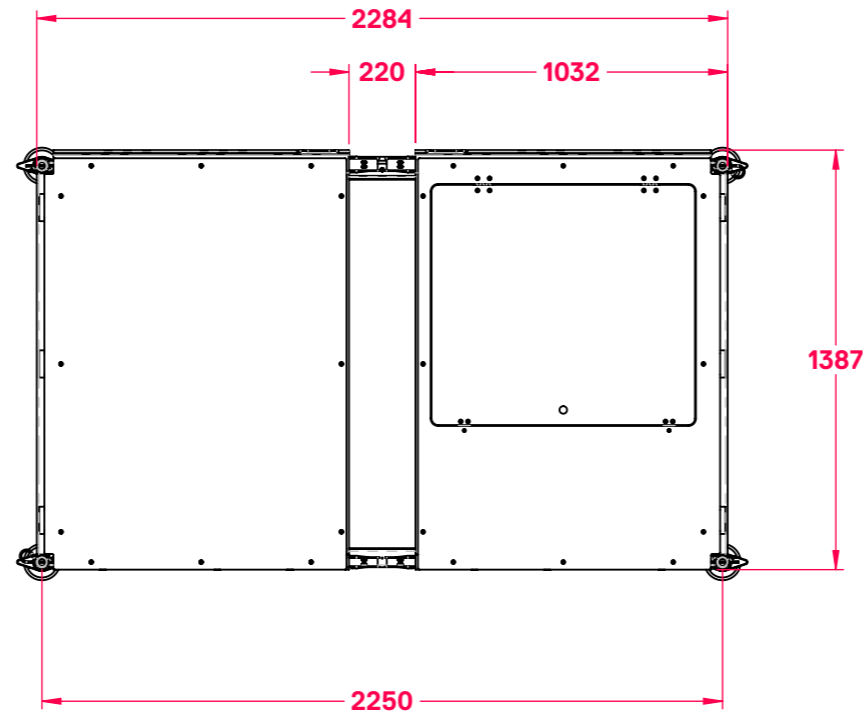
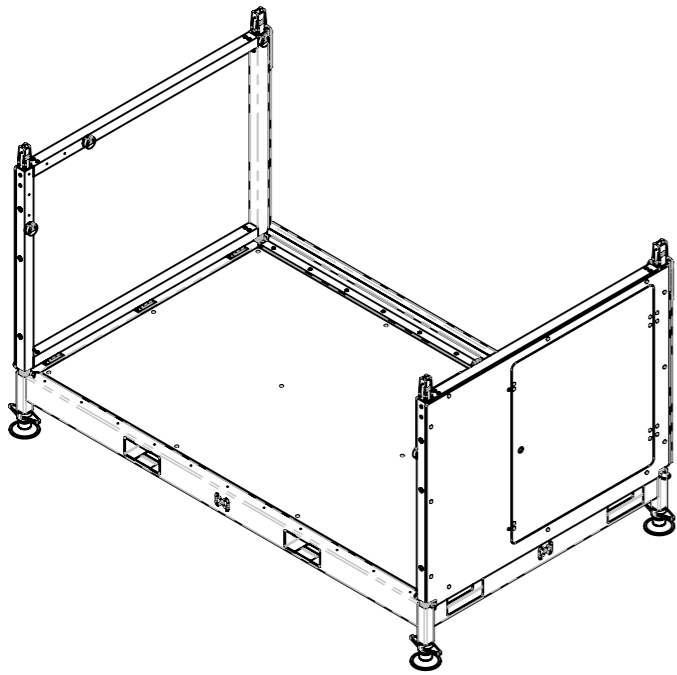
ITEM NO.	DESCRIPTION	QTY.
1	KIOSK BASE	1
2	TOP SIDE PANEL_RH	1
3	TOP SIDE PANEL_LH	1
4	SQUARE CROSS BRACE - STANDARD	2
5	KEDER - SECTION	1
6	Sunvisor / Awning	1
7	DISPLAY COUNTER	1
8	DISPLAY COVER	1
9	FRONT CLADDING PANEL	1
10	FRAME JOINING TRIM	2
11	FASCIA WASHER	4
12	M6 X20 CSK SCREW	8
13	KIOSK AIRCELL	1



KIOSK	ISSUE	02
<b>COMPONENT PART LIST</b>	AirClad X Component Parts Document All dimensions in mm Detailed part drawings available at request	Scale: <b>1:20</b>

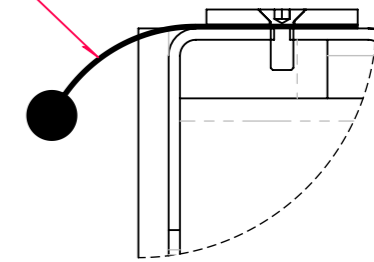


SECTION A-A



FLEXIBLE  
KEDER BEED

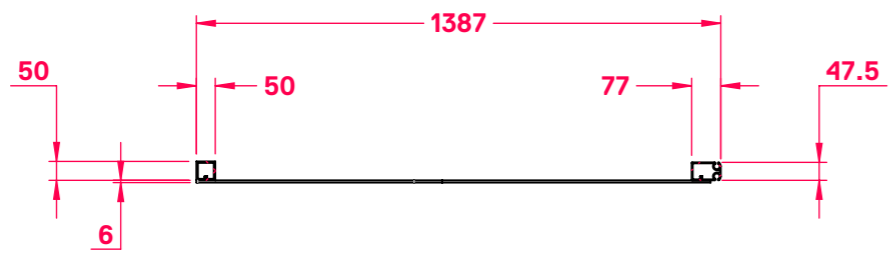
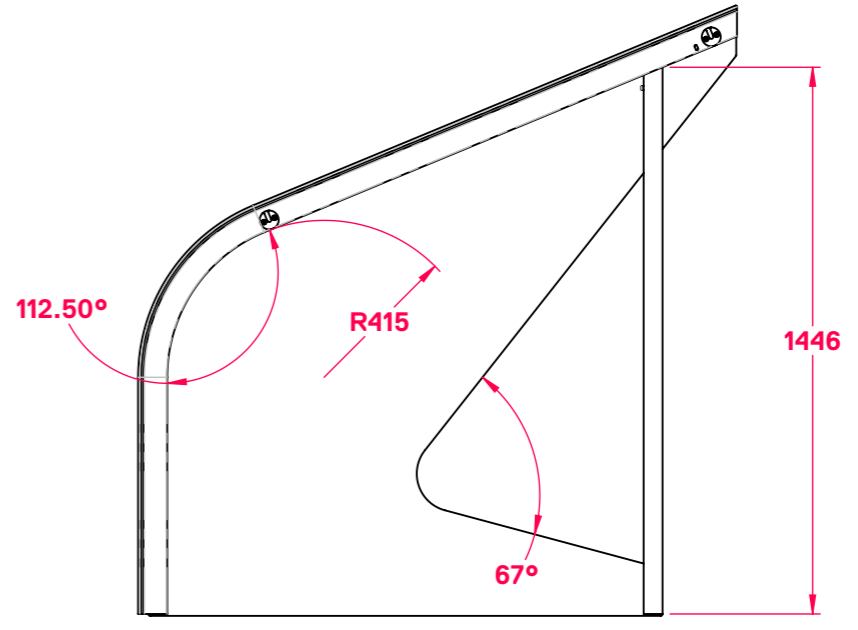
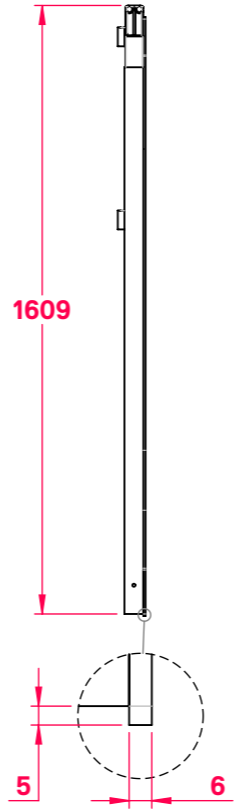
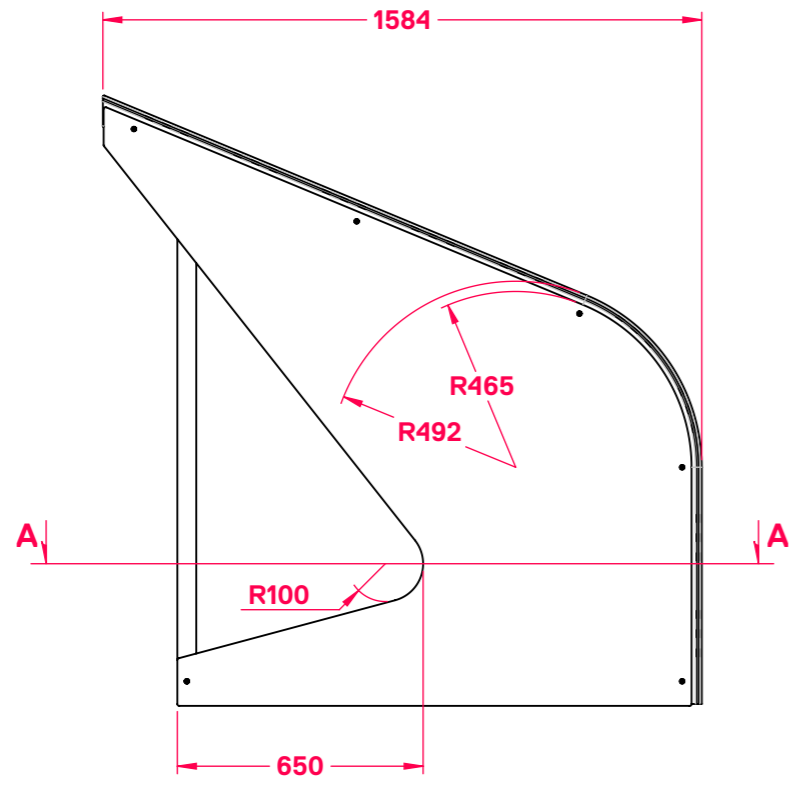
DETAIL 01  
SCALE 1:2



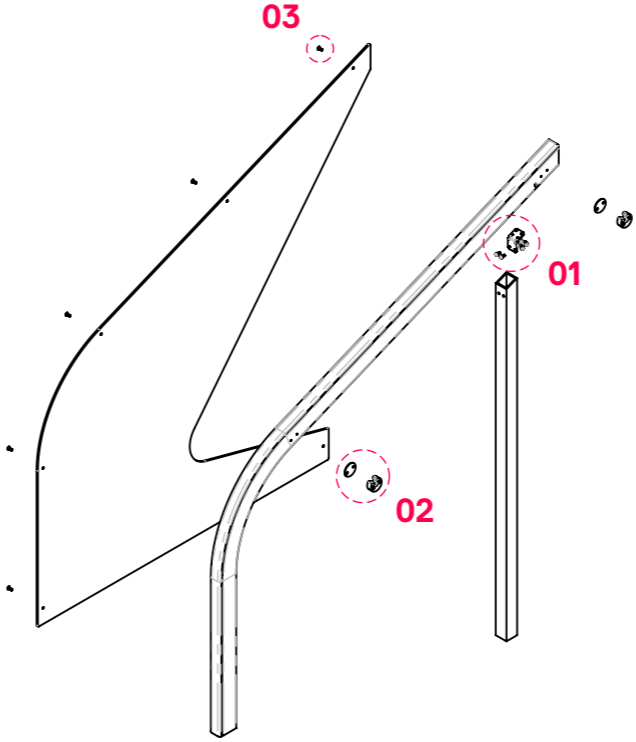
ITEM 01: KIOSK BASE



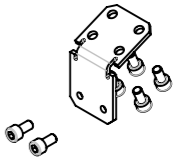
KIOSK	ISSUE	02
COMPONENTS	AirClad X Component Parts Document	
	All dimensions in mm Detailed part drawings available at request	
	Scale:	1:25



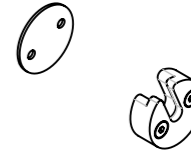
SECTION A-A



DETAIL 01  
SCALE 1 : 5  
Qty: X1



DETAIL 02  
SCALE 1 : 5  
Qty: X1



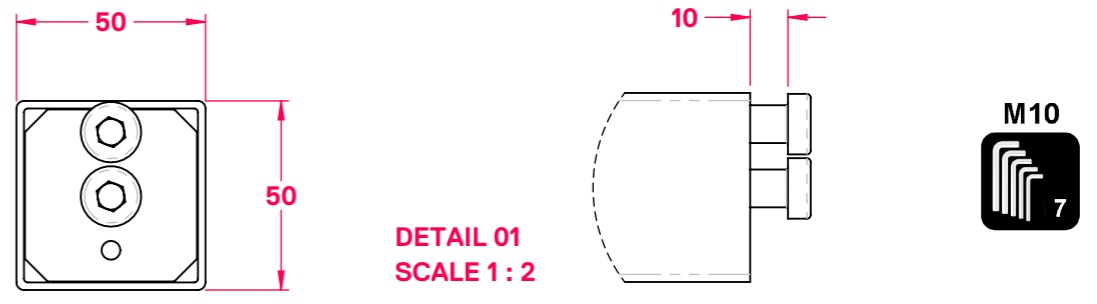
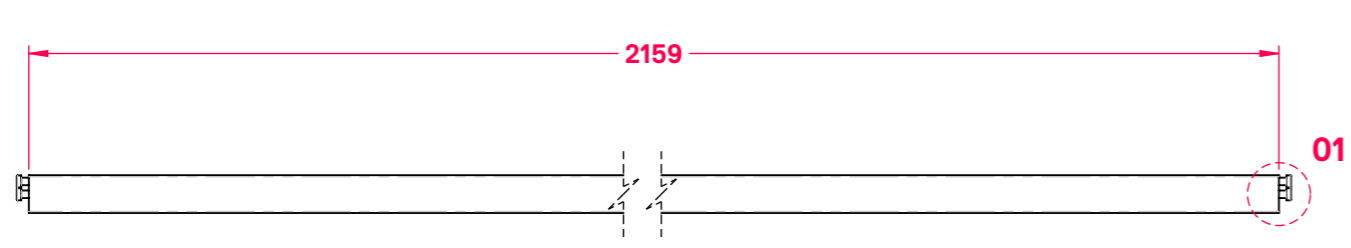
DETAIL 03  
SCALE 1 : 2  
Qty: X5



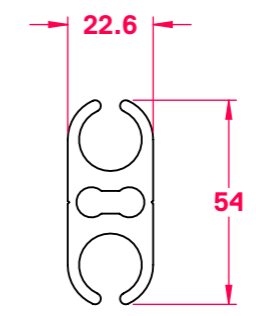
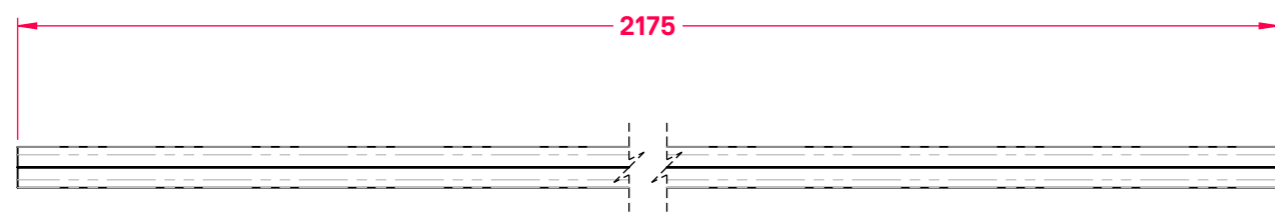
ITEM 02: TOP SIDE PANELS - LH & RH (RH version shown LH version is symmetrical mirror all dimensions & details the same)



KIOSK	ISSUE	02
<b>COMPONENTS</b>	AirClad X Component Parts Document All dimensions in mm Detailed part drawings available at request	Scale: <b>1:20</b>



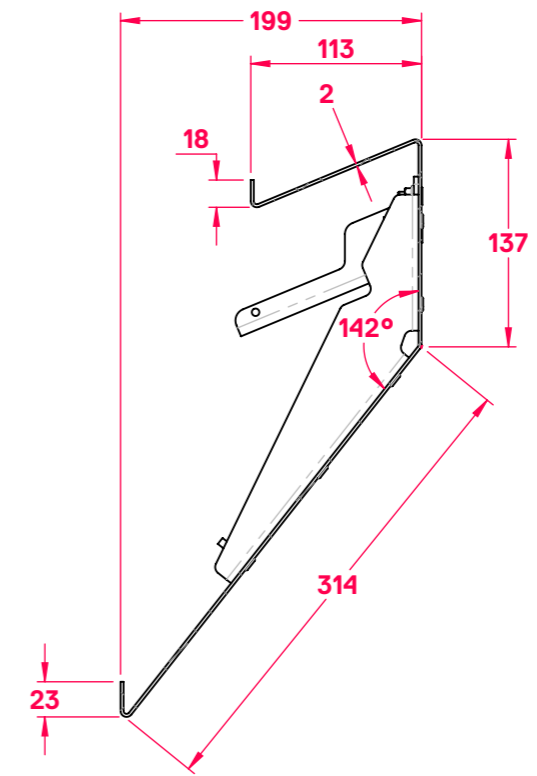
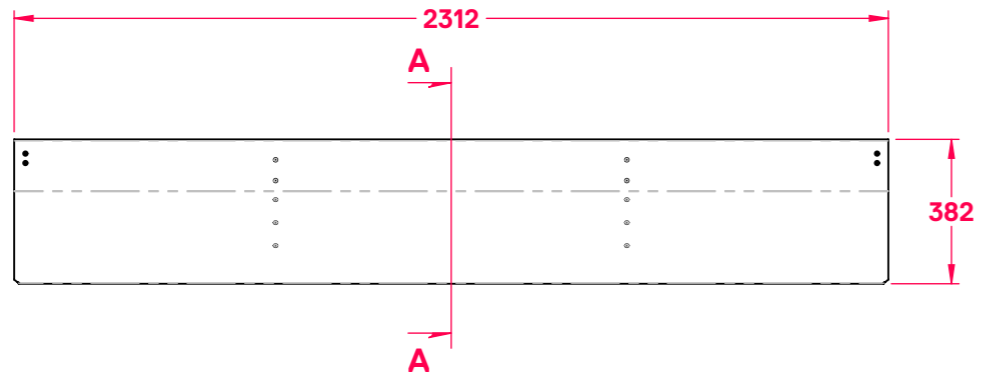
ITEM 04: SQUARE CROSS BRACE - STANDARD



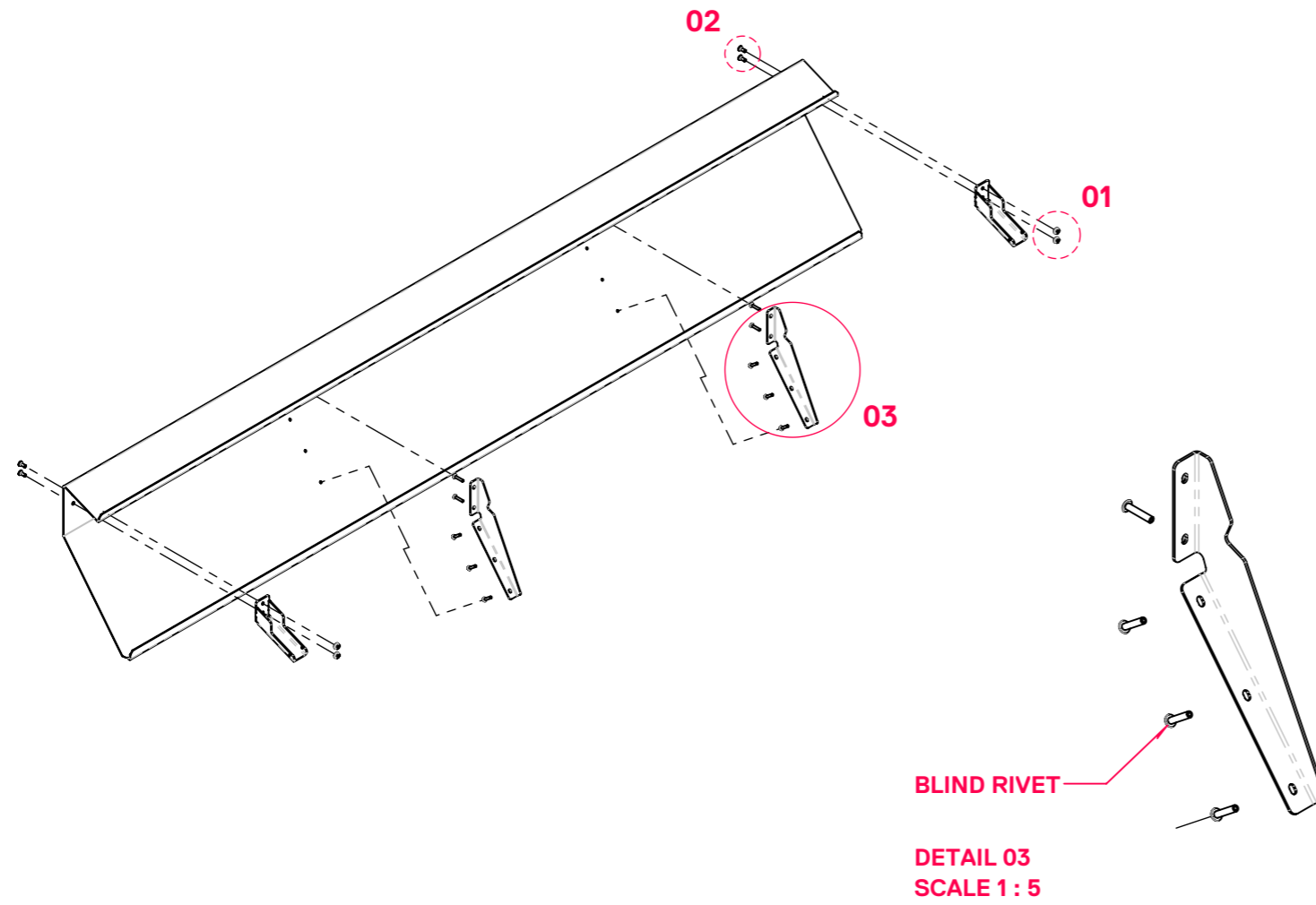
ITEM 05: KEDER SECTION



KIOSK	ISSUE 02	
COMPONENTS	AirClad X Component Parts Document	Scale:
	All dimensions in mm Detailed part drawings available at request	1:10

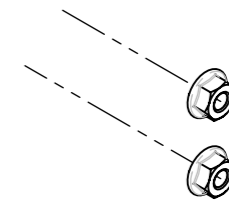


SECTION A-A SCALE 1 : 5

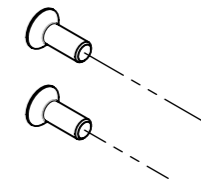


DETAIL 03  
SCALE 1 : 5

DETAIL 01  
SCALE 1 : 2  
Qty: X14



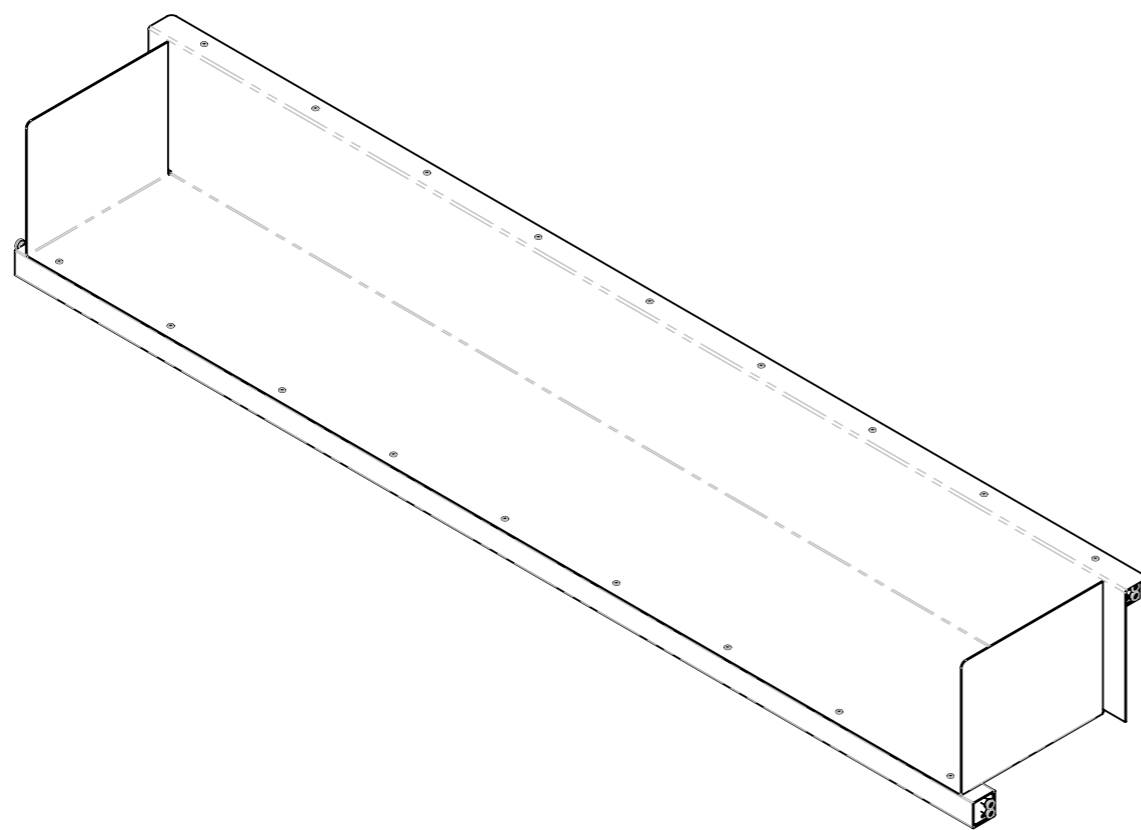
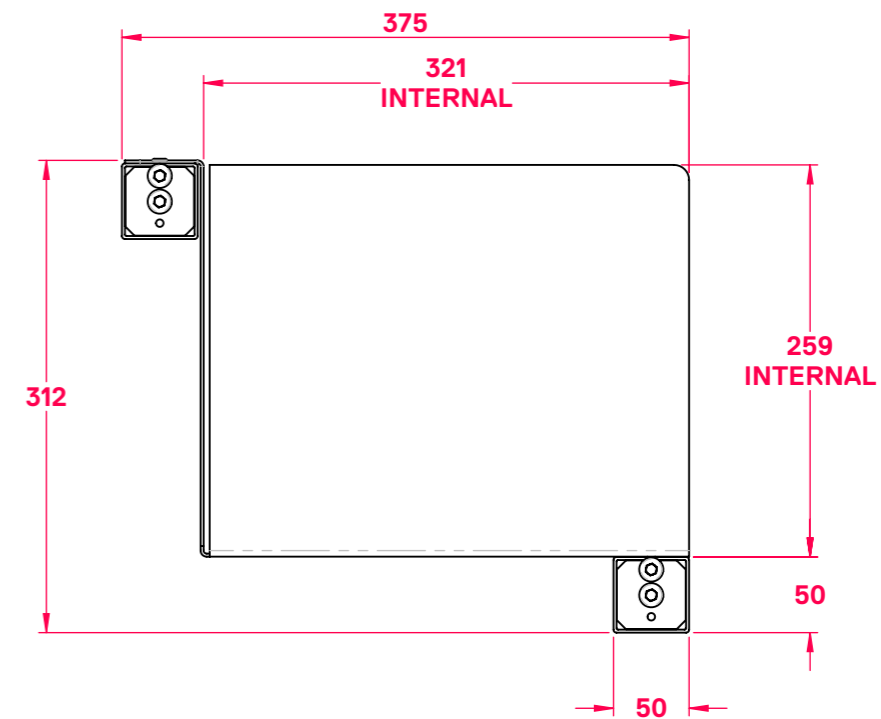
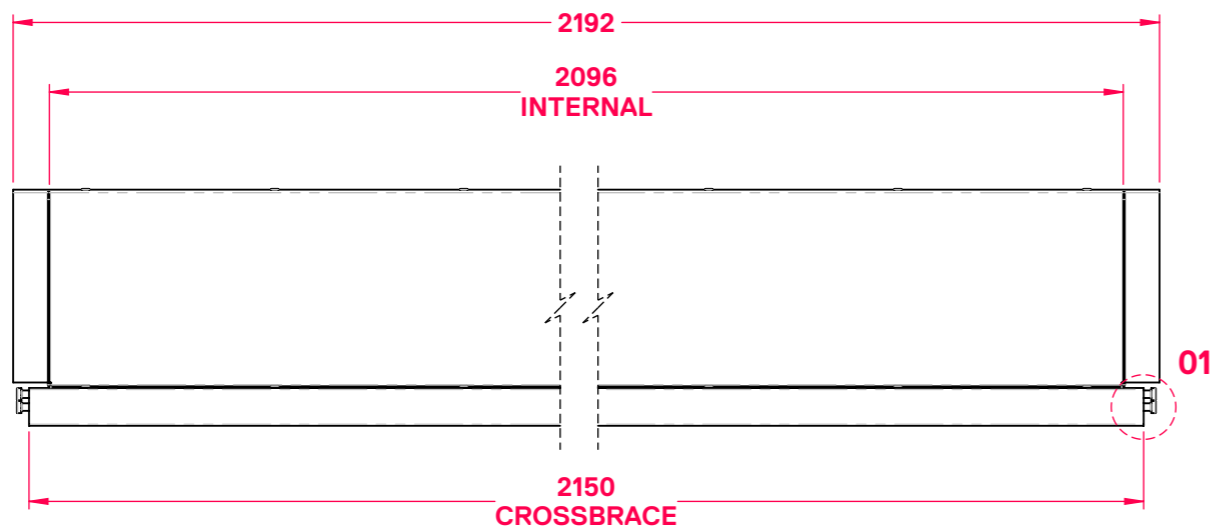
DETAIL 02  
SCALE 1 : 2  
Qty: X14



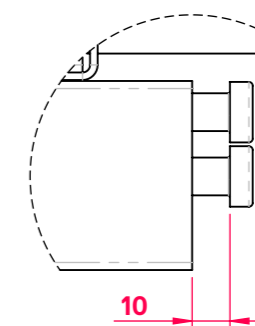
ITEM 06: SUNVISOR



KIOSK	ISSUE	02
COMPONENTS	AirClad X Component Parts Document	
	All dimensions in mm Detailed part drawings available at request	
	Scale:	1:20



DETAIL 01  
SCALE 1:2

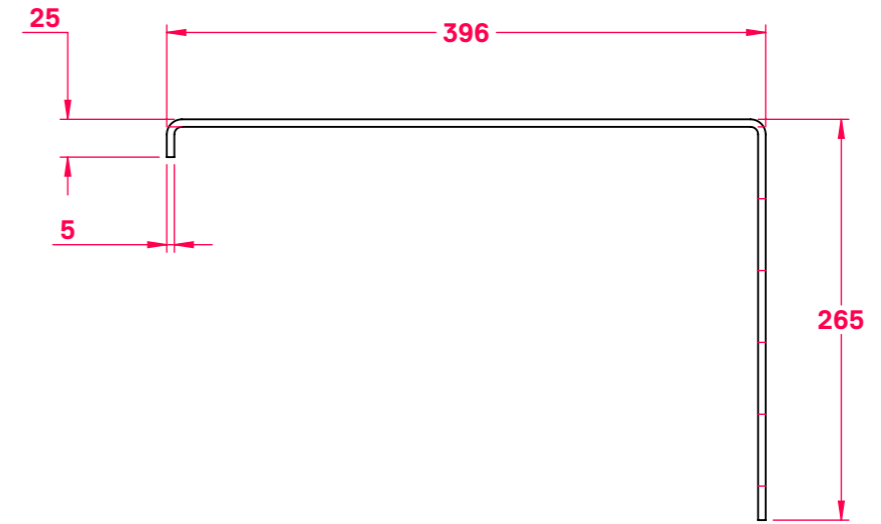
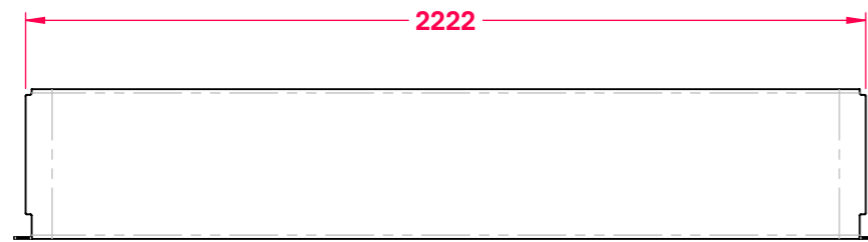
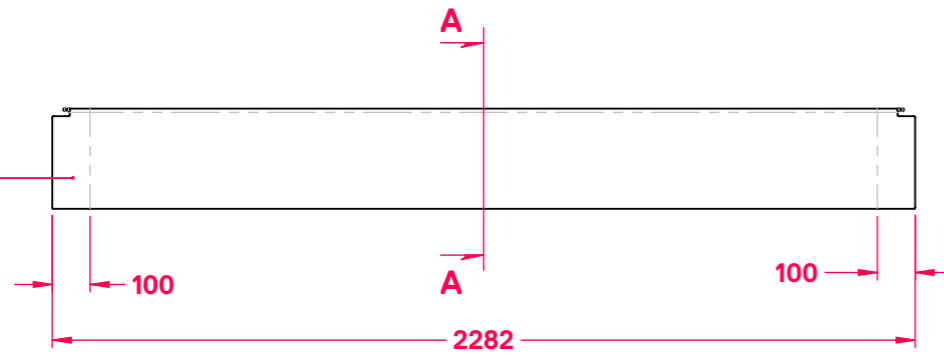


ITEM 07: DISPLAY COUNTER

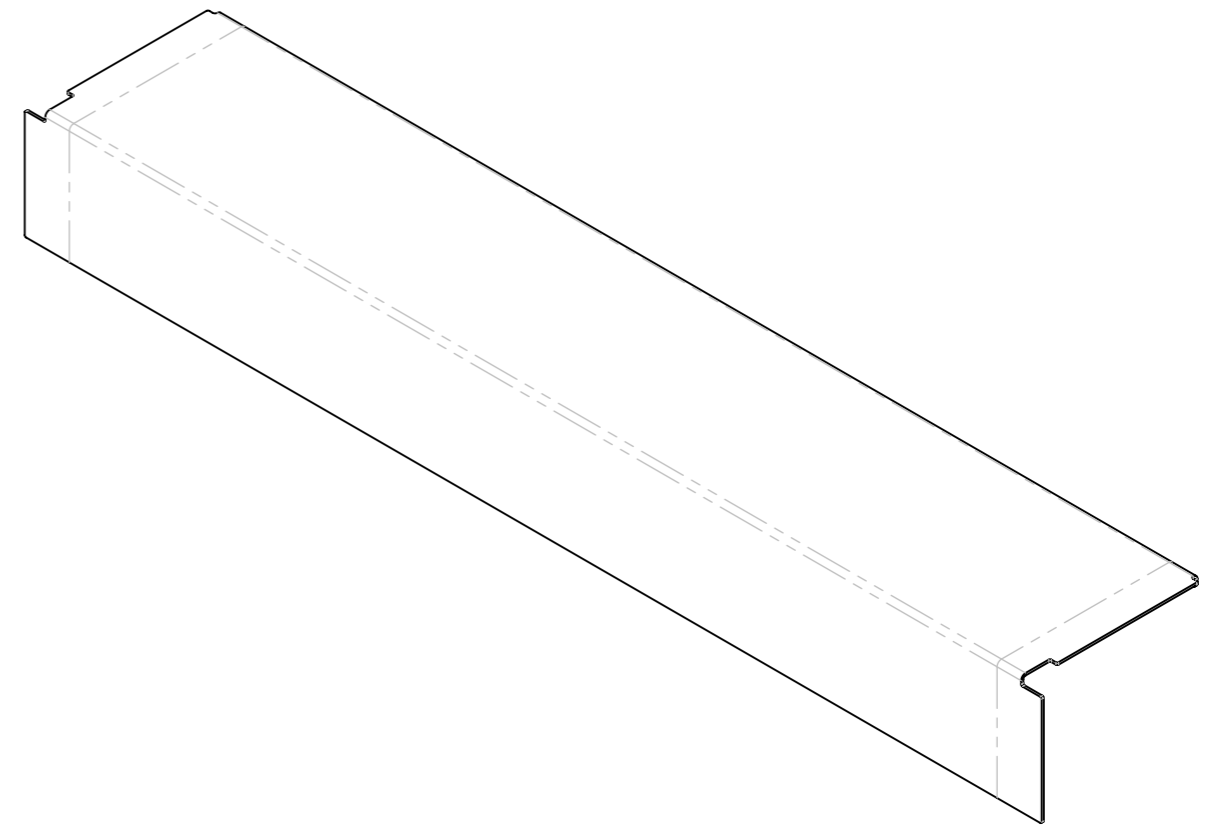


KIOSK	ISSUE	02
COMPONENTS	AirClad X Component Parts Document	
	All dimensions in mm Detailed part drawings available at request	
	Scale:	1:10

BLACKED OUT AREA



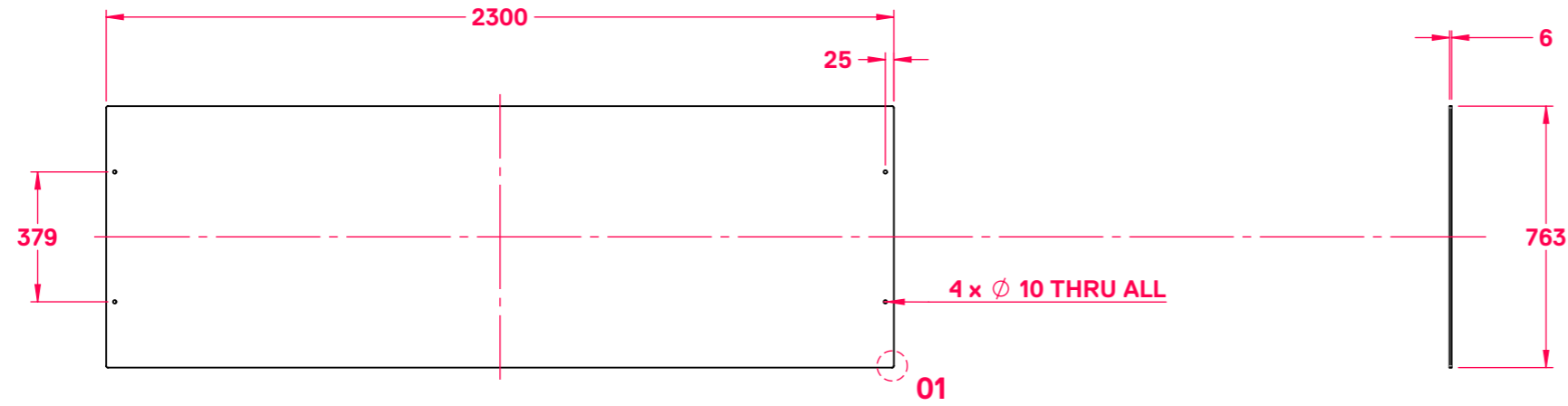
SECTION A-A SCALE 1:5



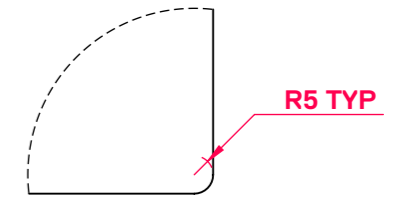
ITEM 08: DISPLAY COVER



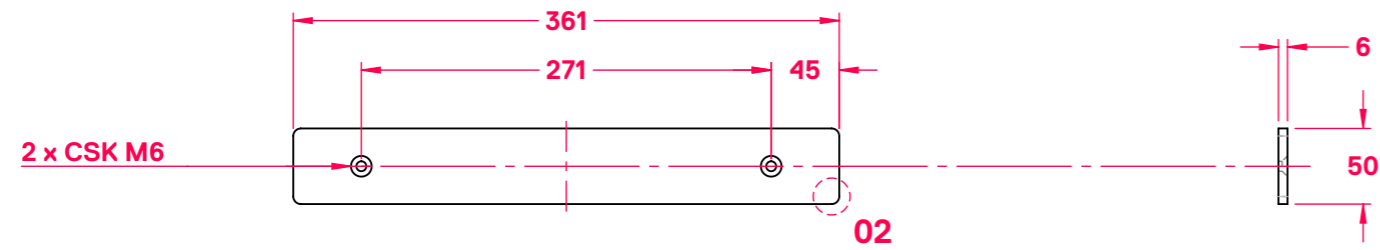
KIOSK	ISSUE	02
COMPONENTS	AirClad X Component Parts Document All dimensions in mm Detailed part drawings available at request	Scale: 1:20



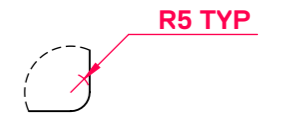
DETAIL 01  
SCALE 1 : 2



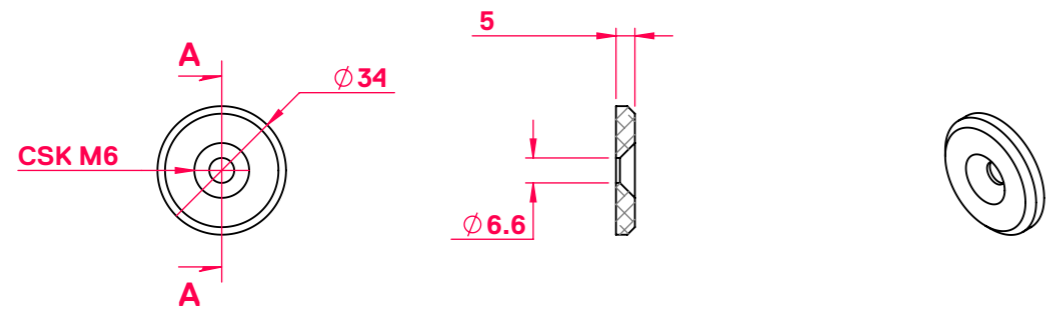
ITEM 09: FRONT CLADDING PANEL  
SCALE 1 : 20



DETAIL 02  
SCALE 1 : 2



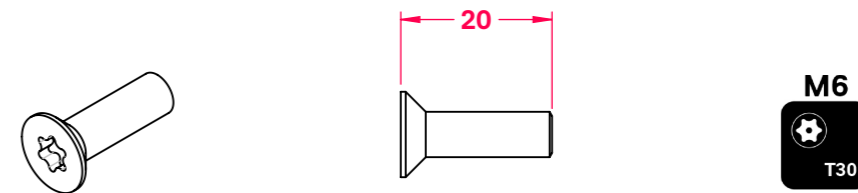
ITEM 10: FRAME JOINING TRIM  
SCALE 1 : 5



SECTION A-A SCALE 1 : 2

ITEM 11: FASCIA WASHER  
SCALE 1 : 2

ITEM 12: FASCIA FIXINGS  
SCALE 1 : 1



KIOSK	ISSUE	02
COMPONENTS	AirClad X Component Parts Document	
	All dimensions in mm	
	Detailed part drawings available at request	Scale: 1:20



**Disclaimer**

*Please note the information in the document is offered as guidance only. AirClad and its partners accept no liability for variations in dimensions, weights, and written information provided. AirClad and its partners reserve the right to alter or delete any information provided at any time.*

**AIRCLAD (X)**

**AirClad Ltd**  
**Essenstraat 5**  
**2060**  
**Antwerp**  
**Belgium**

[info@airclad.com](mailto:info@airclad.com)  
[www.airclad.com](http://www.airclad.com)

**AirClad Ltd**  
**The Echo Building**  
**18 Albert Road**  
**Bournemouth**  
**BH1 1BZ**

+44 (0) 1202 942 475

**(E  
XP  
RE  
SS)**  
**SYSTEM**

**MADE IN THE FUTURE**

Design by AirClad  
All IP and design rights AirClad Ltd